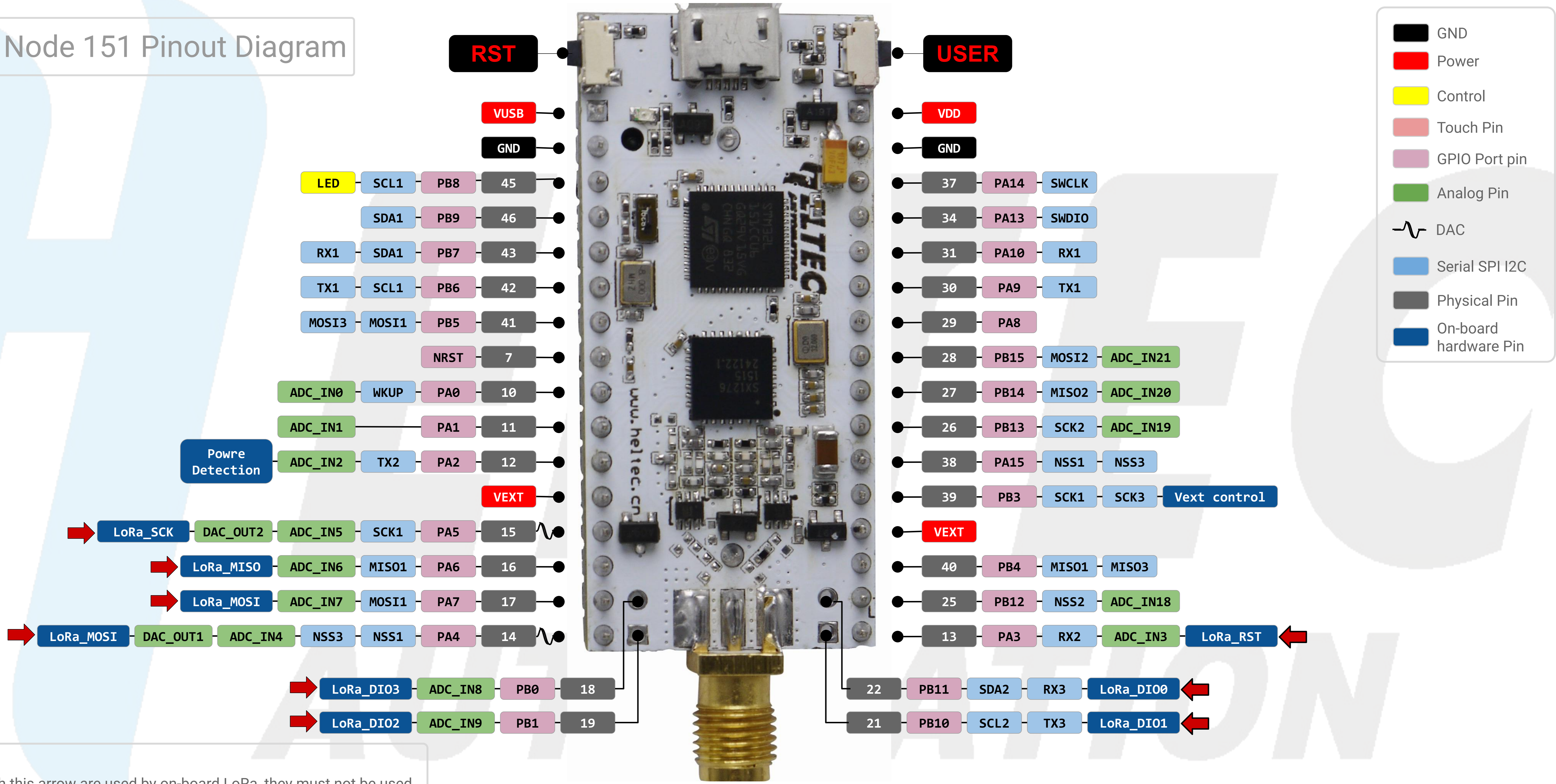


LoRa Node 151 Pinout Diagram



➔ Pins with this arrow are used by on-board LoRa, they must not be used for other purpose unless you know what you are doing!